

RINGS AND BUSHINGS

Natural frequency : (1)
6 to 28 Hz



DESCRIPTION

These all elastomer parts are compatible with the majority of the industrial environments and have an operating temperature range of - 40°C to + 83°C.

OPERATION

A ring assembled with the associated bushing constitutes a flexible interface and a simple solution to decrease noise and vibrations.

- These supports can be installed in parallel for a greater load capacity and may also be stacked in series when greater deflection capacity is required.
- Bushings can be used in pairs, bushing end to bushing end, without rings for a more robust installation or where the structure thickness does not allow for a standard ring and bushing assembly.

Advantages

- Highly efficient noise reduction,
- Absorb shock and vibrations,
- Simple and economic,
- Four models in four stiffnesses for load capacities going from 0.5 to 160 kg per isolator.

APPLICATIONS

- Office machines, motors, fans, HVAC equipment, electronics equipment, telecommunication equipment; etc.

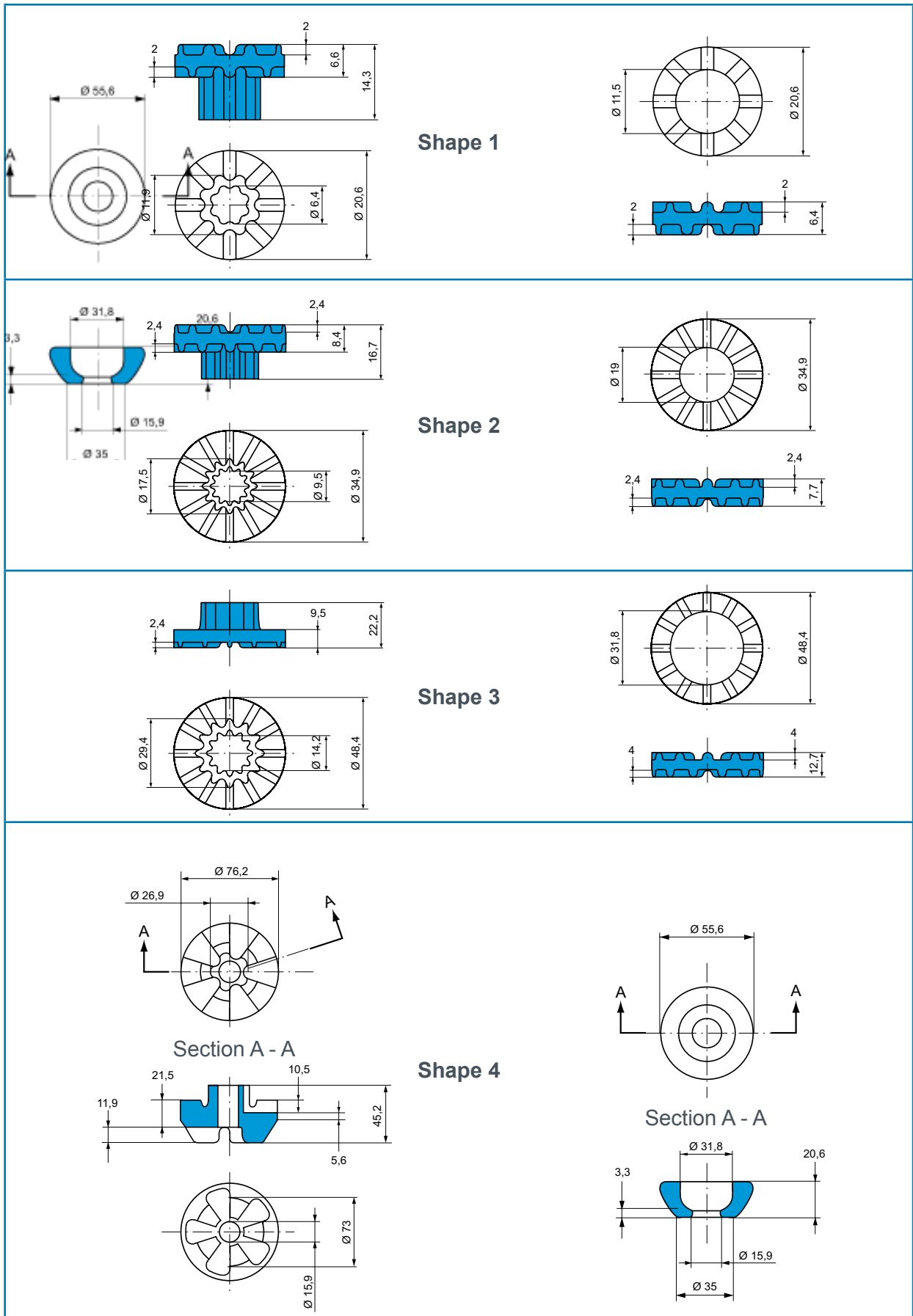
1) the indicated natural frequency, are valid for the maxi loads of the ranges of use quoted in the paragraph : TECHNICAL CHARACTERISTICS.

PAULSTRA - 61 rue Marius AUFAN - 92309 Levallois-Perret Cedex - France - T. +33 1 40 89 53 31 - F. +33 1 47 25 28 96 - www.paulstra-industry.com

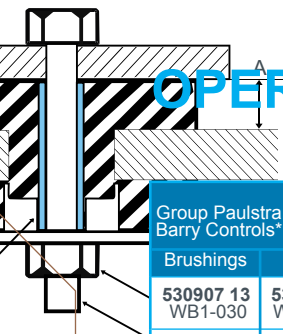
DIMENSIONS CHARACTERISTICS

Rings

Bushings



OPERATING CHARACTERISTICS

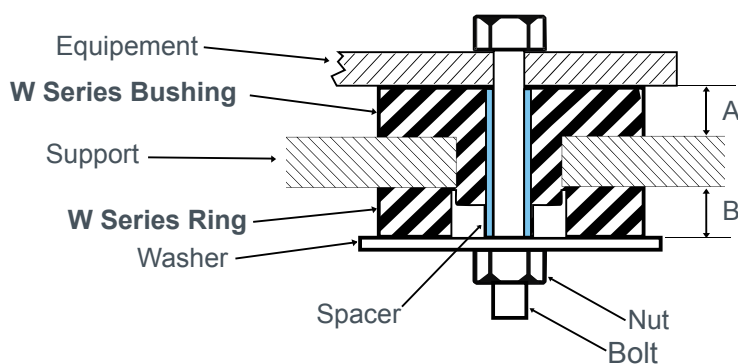
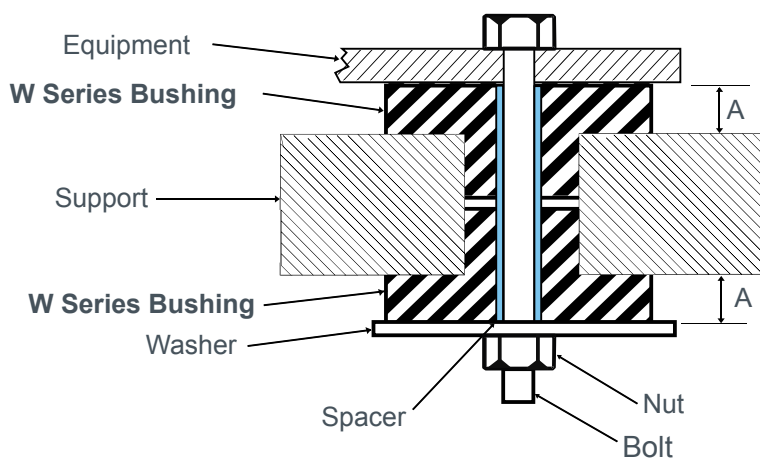


Group Paulstra reference Barry Controls* reference		Colour	Shape	Load range	
Brushings	Rings			Min. (daN)	Max. (daN)
530907 13 WB1-030	530908 13 WR1-030	blue	1	0,4	1,8
530907 14 WB1-040	530908 14 WR1-040	brown	1	0,9	2,7
530907 15 WB1-050	530908 15 WR1-050	black	1	1,4	3,6
530907 16 WB1-060	530908 16 WR1-060	grey	1	2,3	5,4
530907 43 WB4-030	530908 43 WR4-030	blue	3	4,5	16
530907 44 WB4-040	530908 44 WR4-040	brown	3	9	23
530907 45 WB4-050	530908 45 WR4-050	black	3	13,6	27
530907 46 WB4-060	530908 46 WR4-060	grey	3	18	74

Group Paulstra reference Barry Controls* reference		Colour	Shape	Load range	
Brushings	Rings			Min. (daN)	Max. (daN)
530907 33 WB3-030	530908 33 WR3-030	blue	2	2,7	9
530907 34 WB3-040	530908 34 WR3-040	brown	2	3,2	10,7
530907 35 WB3-050	530908 35 WR3-050	black	2	4,5	11,4
530907 36 WB3-060	530908 36 WR3-060	grey	2	6,8	16
530907 63 WB6-030	530908 63 WR6-030	blue	4	27	55
530907 64 WB6-040	530908 64 WR6-040	brown	4	50	73
530907 65 WB6-050	530908 65 WR6-050	black	4	61	114
530907 66 WB6-060	530908 66 WR6-060	grey	4	73	159

* Barry Controls part numbers are given as a reference only

ASSEMBLY



Dimensions (mm)		
Reference	A	B
530907 1x	5,8	-
530908 1x	-	5,8
530907 3x	7,6	-
530908 3x	-	7,6
530907 4x	8,4	-
530908 4x	-	11,4
530907 6x	31,75	-
530908 6*	-	19,1